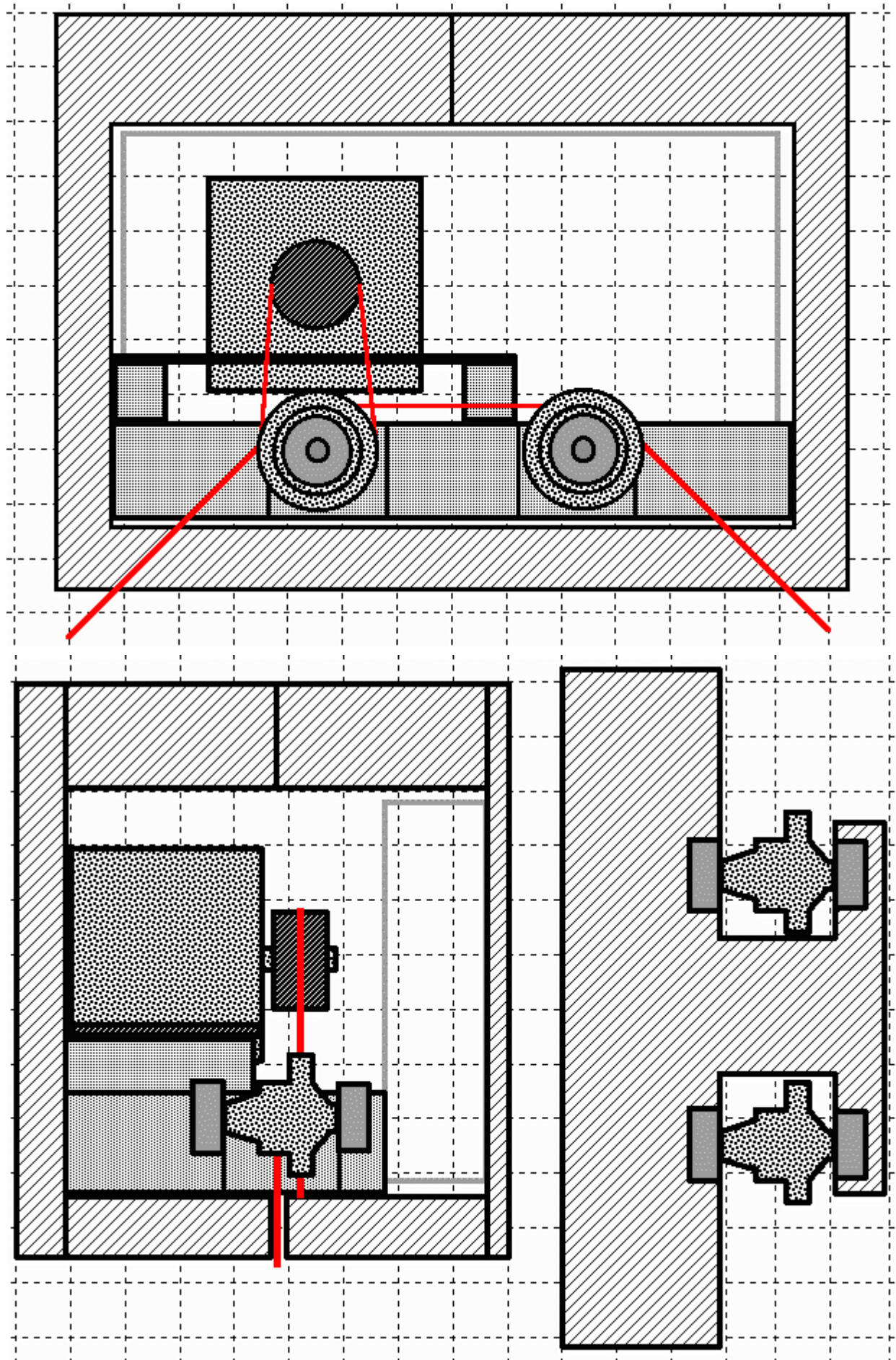
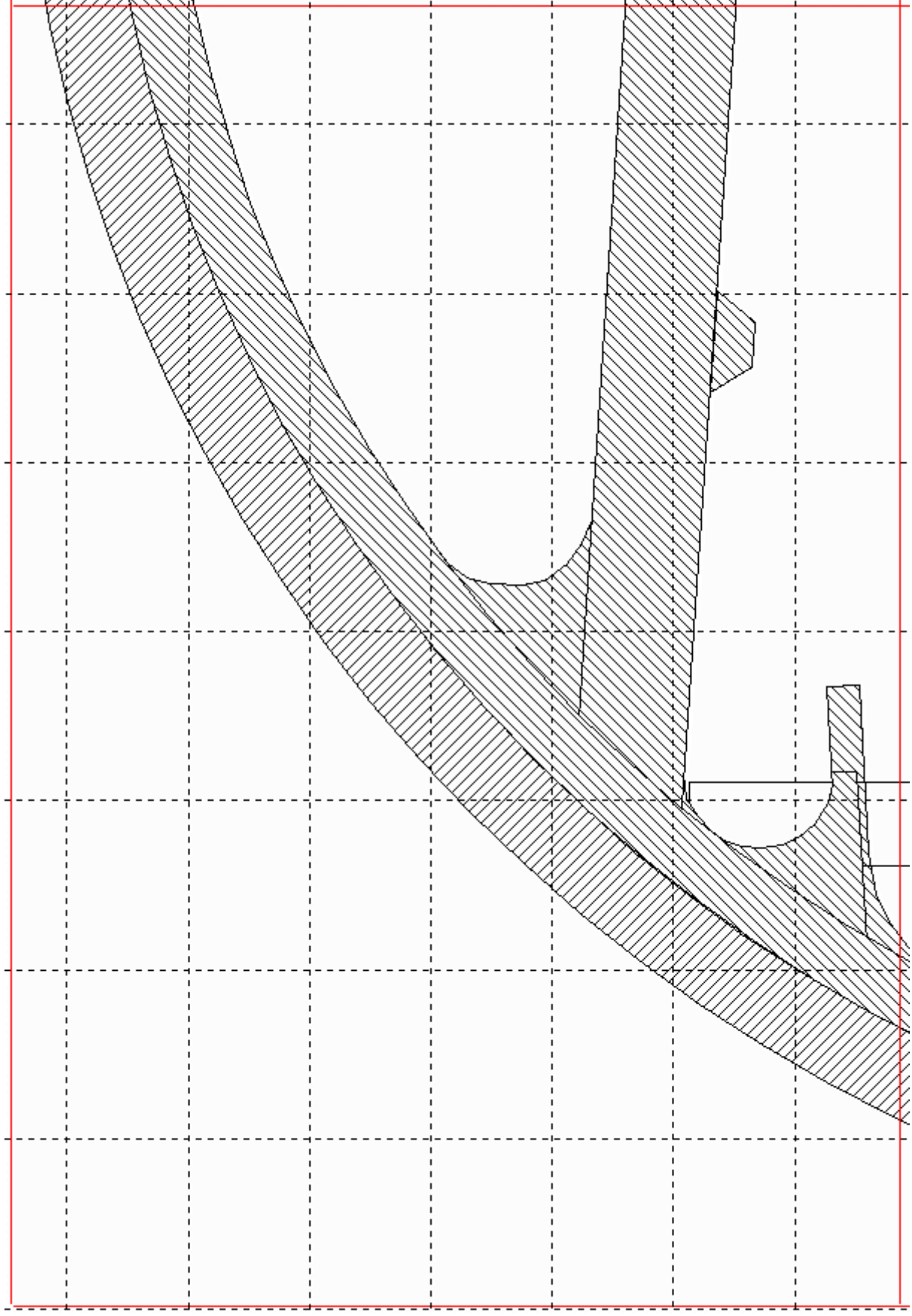


Centimeter grid on motor house drawings

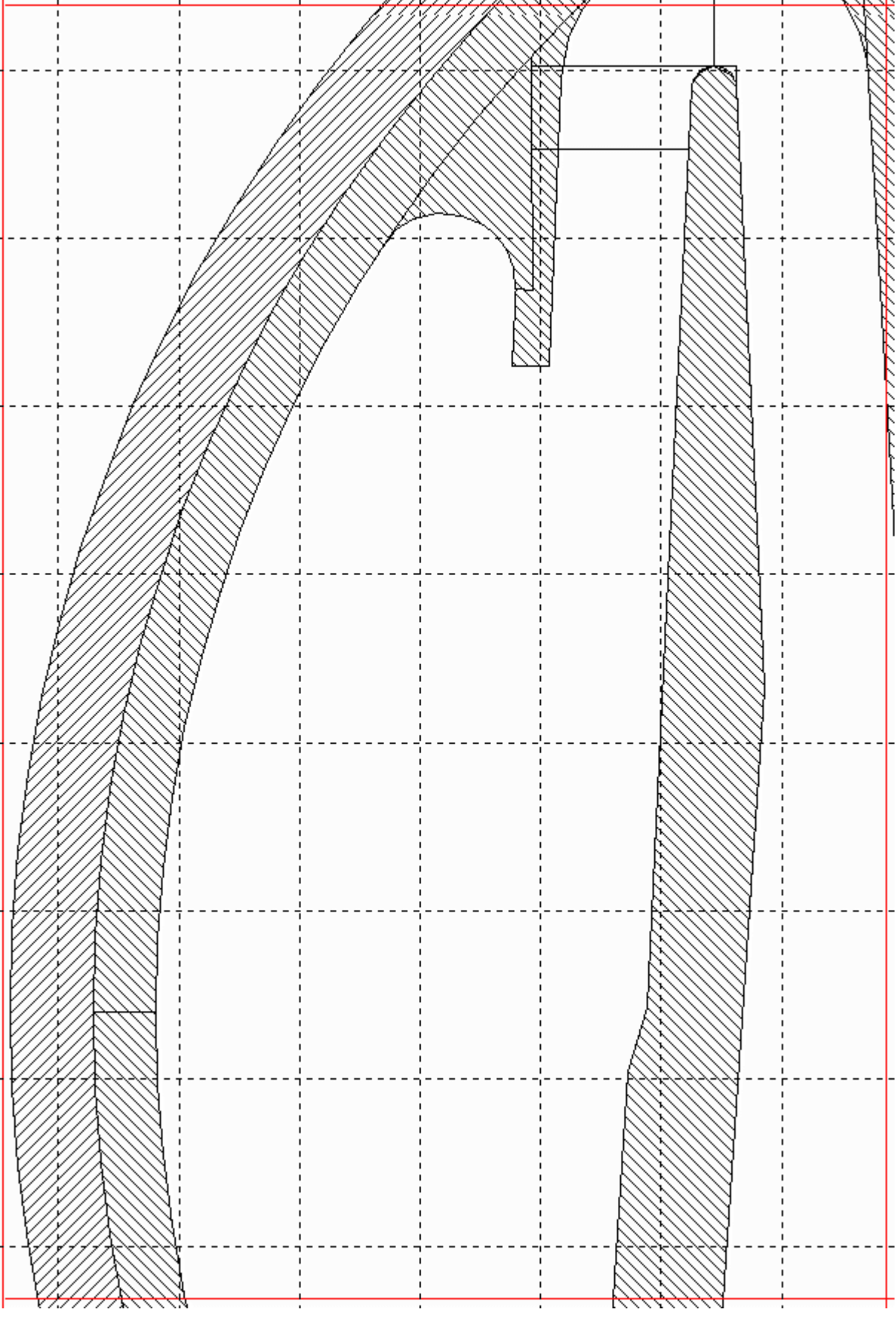
Construction drawings for "The Weel" made by Helge Rustad 2000



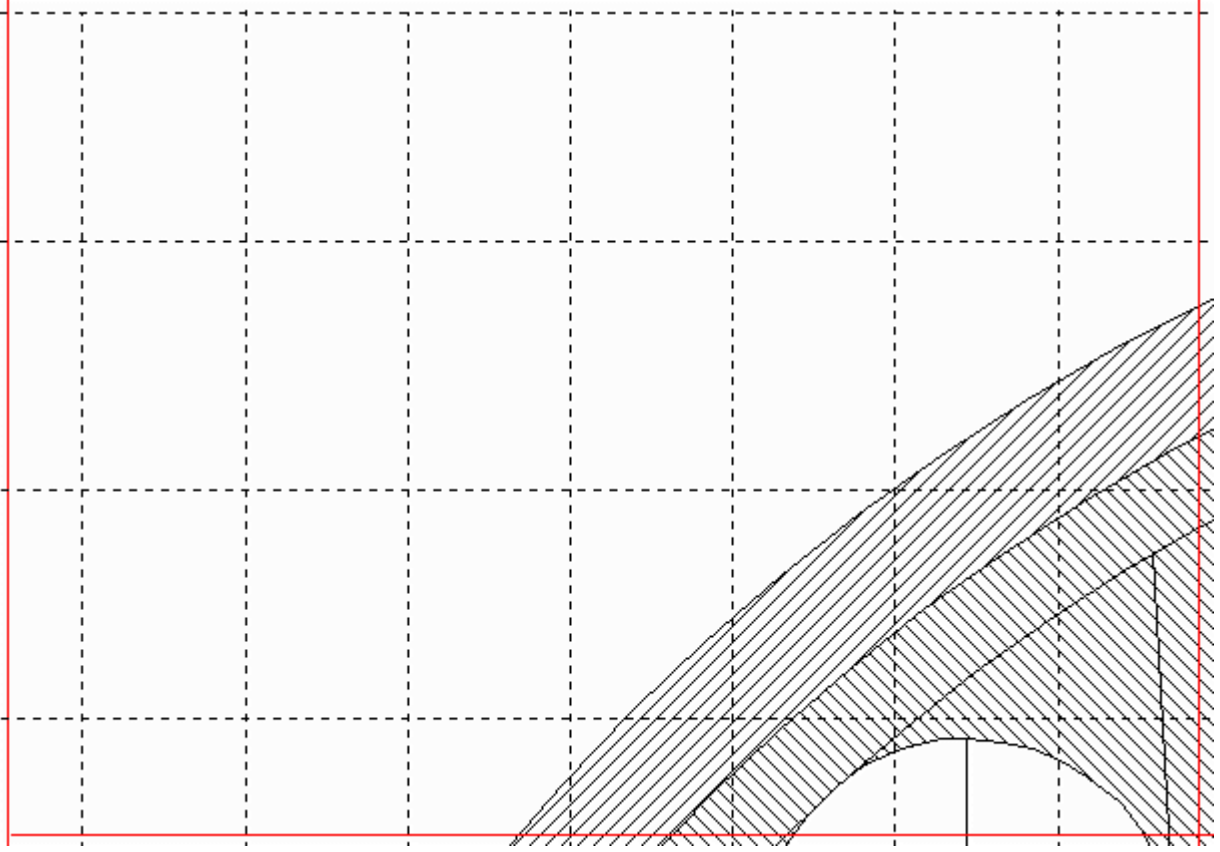
Construction drawings for "The Weel" made by Helge Rustad 2000



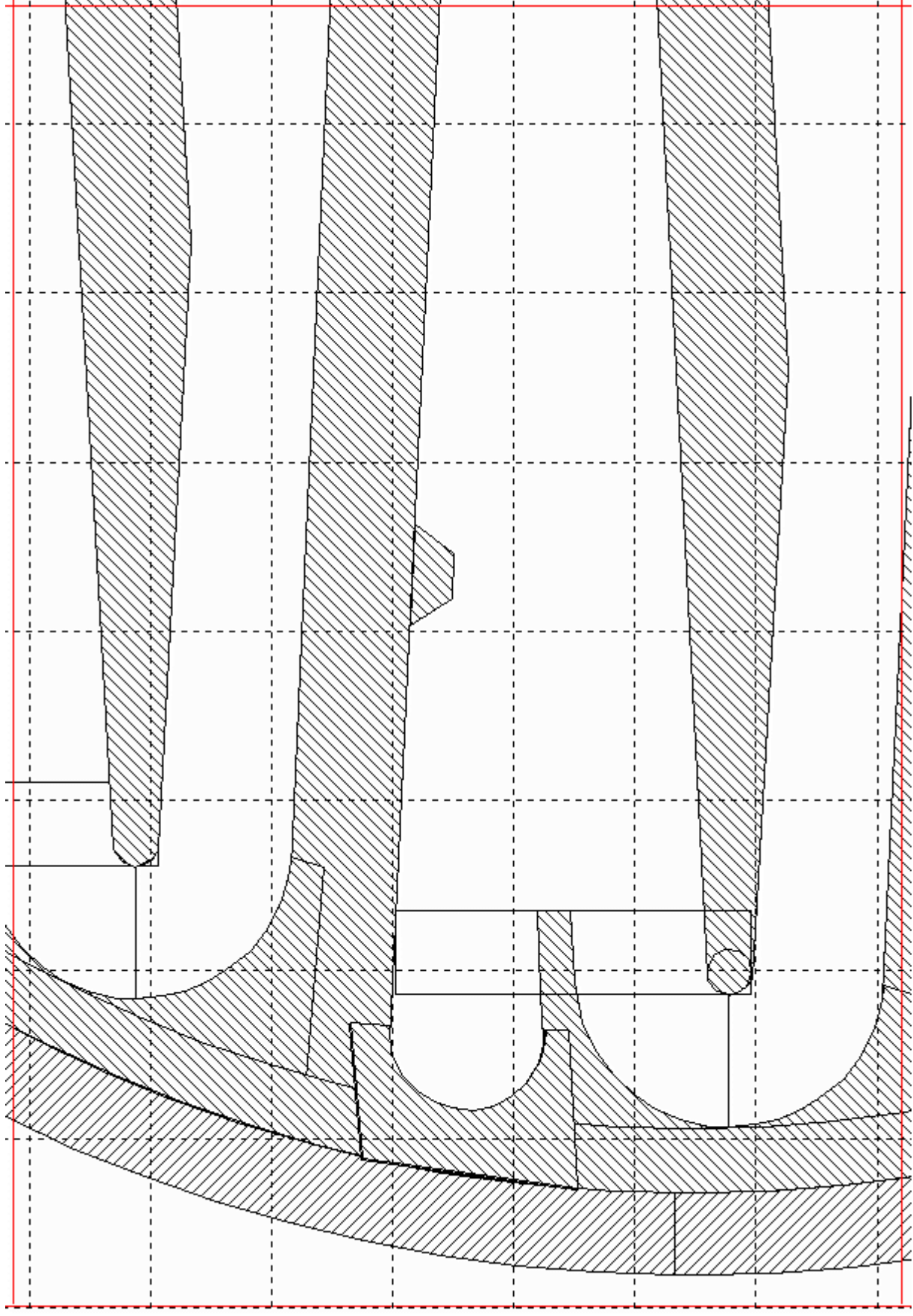
Construction drawings for "The Wheel" made by Helge Rustad 2000



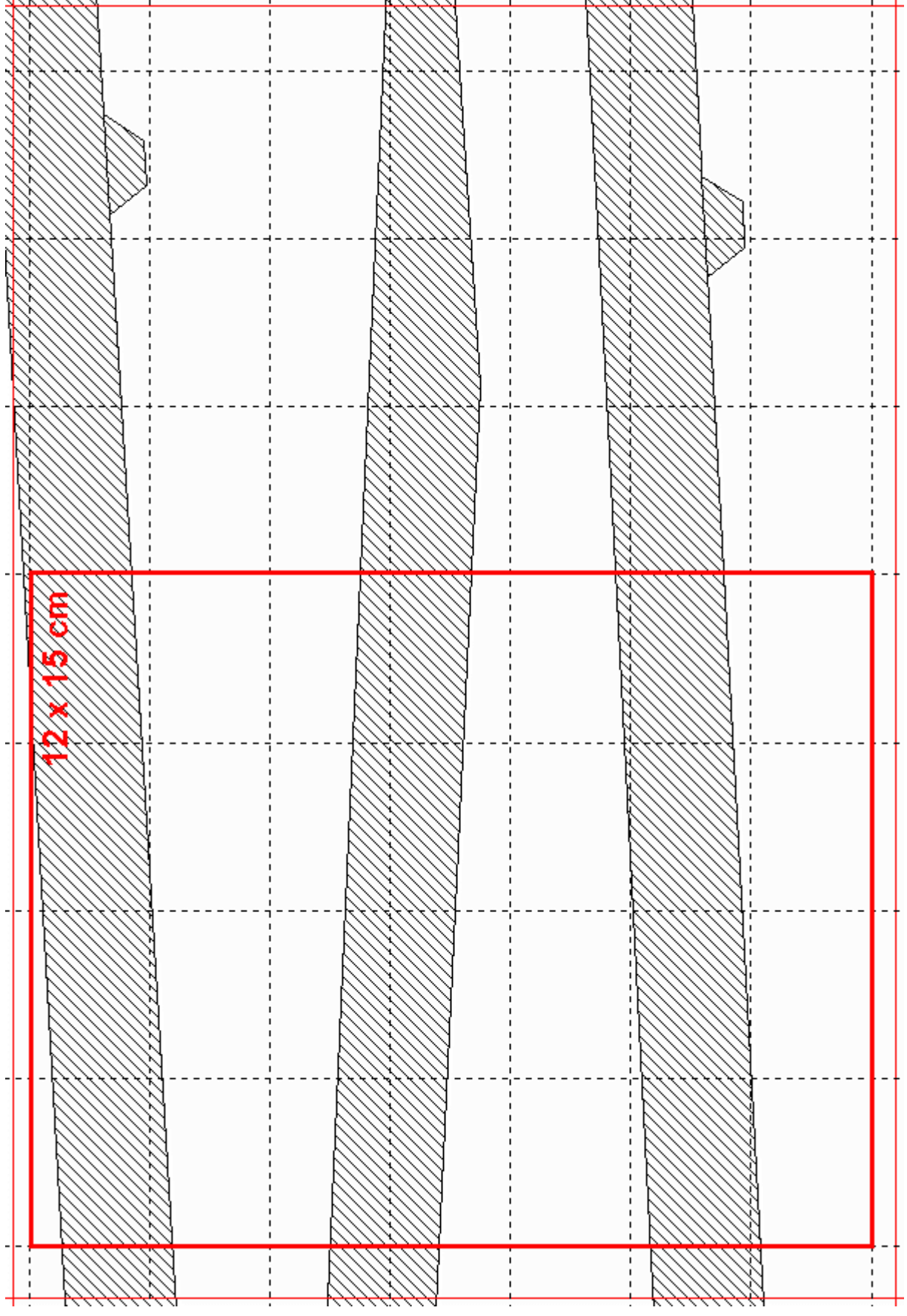
Construction drawings for "The Wheel" made by Helge Rustad 2000



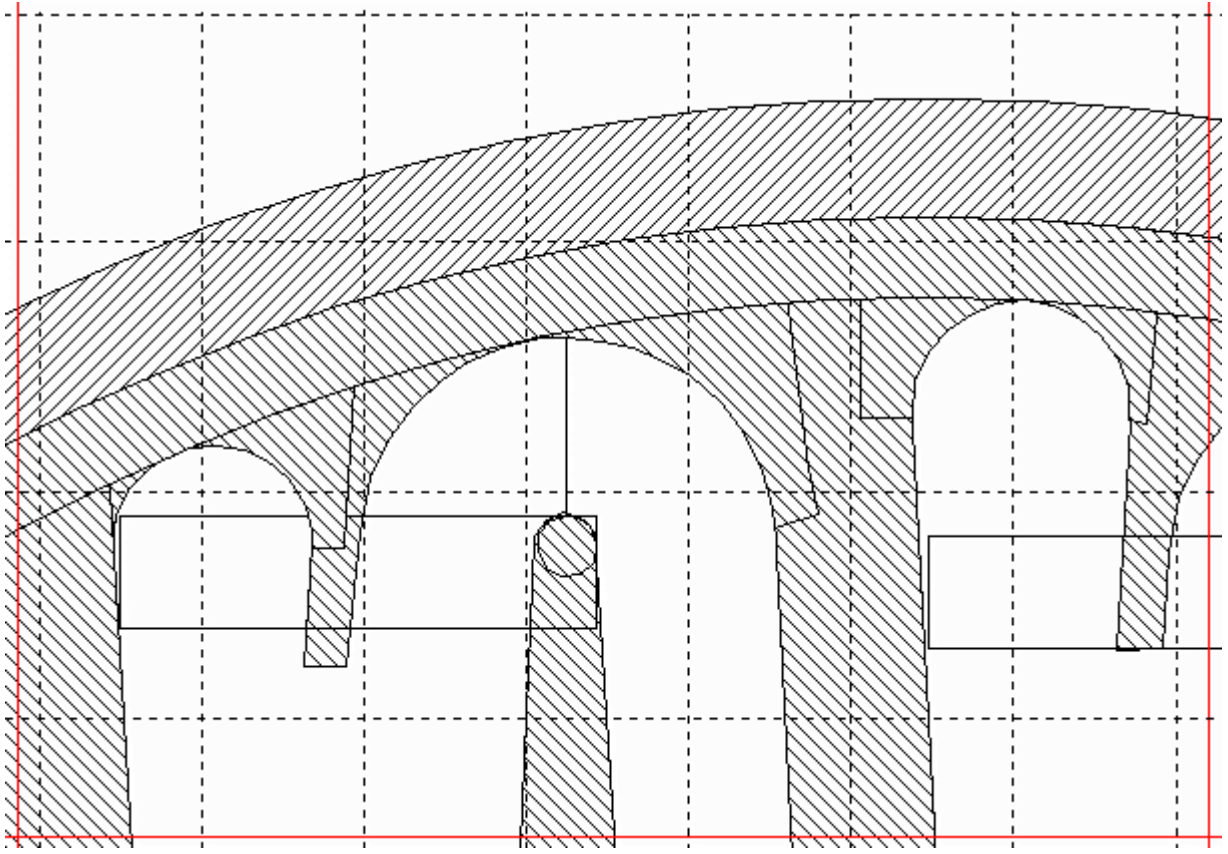
Construction drawings for "The Wheel" made by Helge Rustad 2000



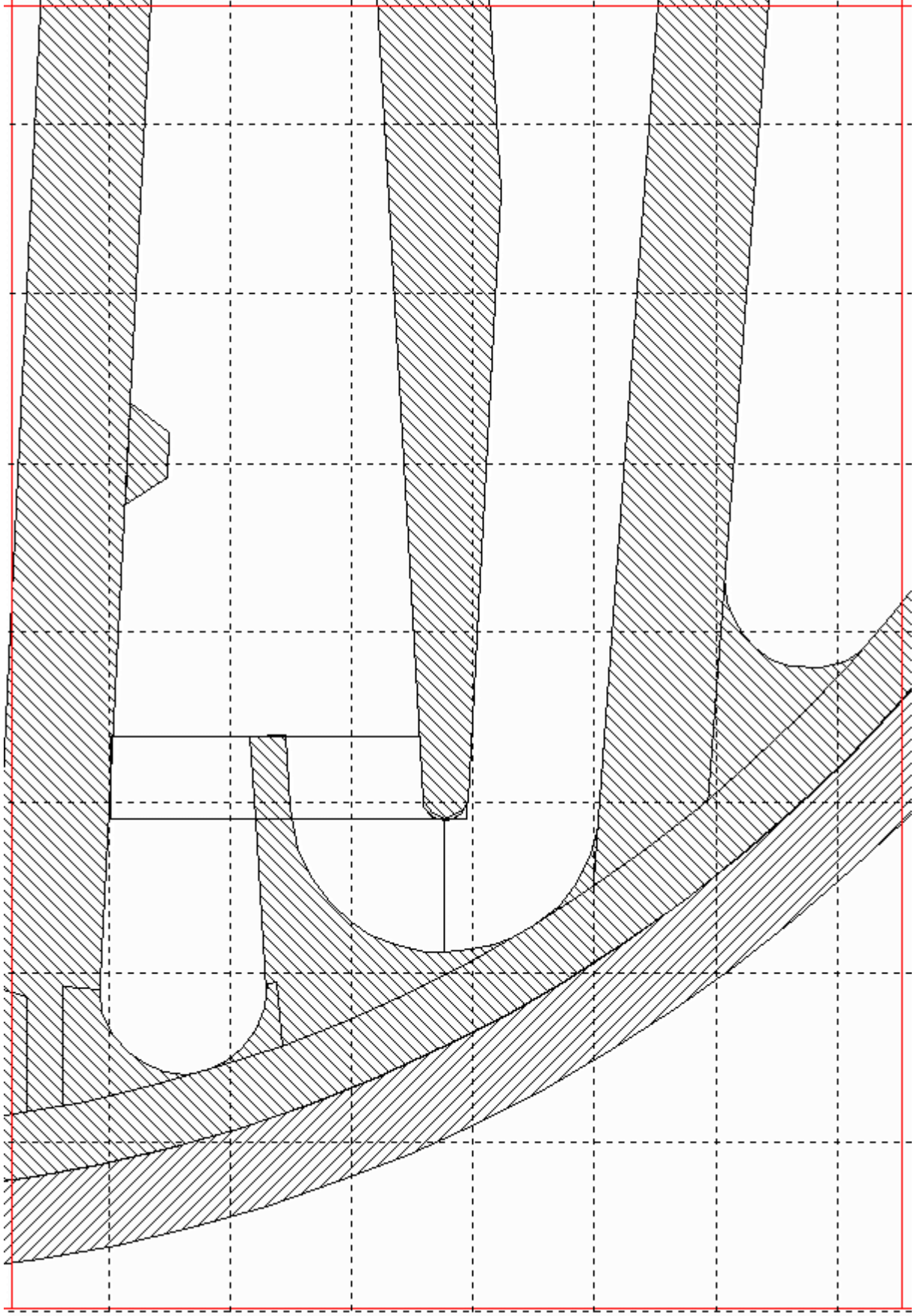
Construction drawings for "The Wheel" made by Helge Rustad 2000



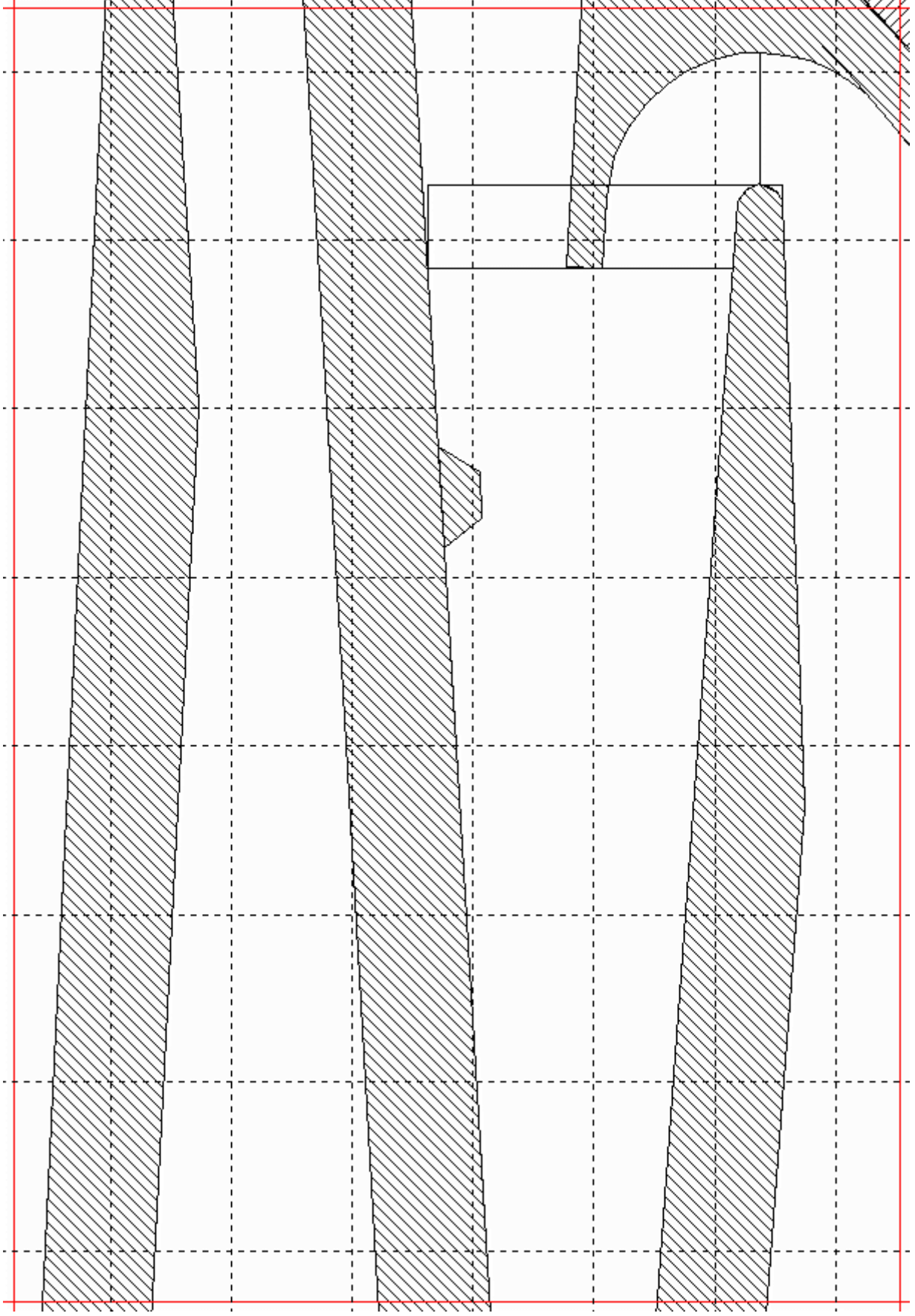
Construction drawings for "The Wheel" made by Helge Rustad 2000



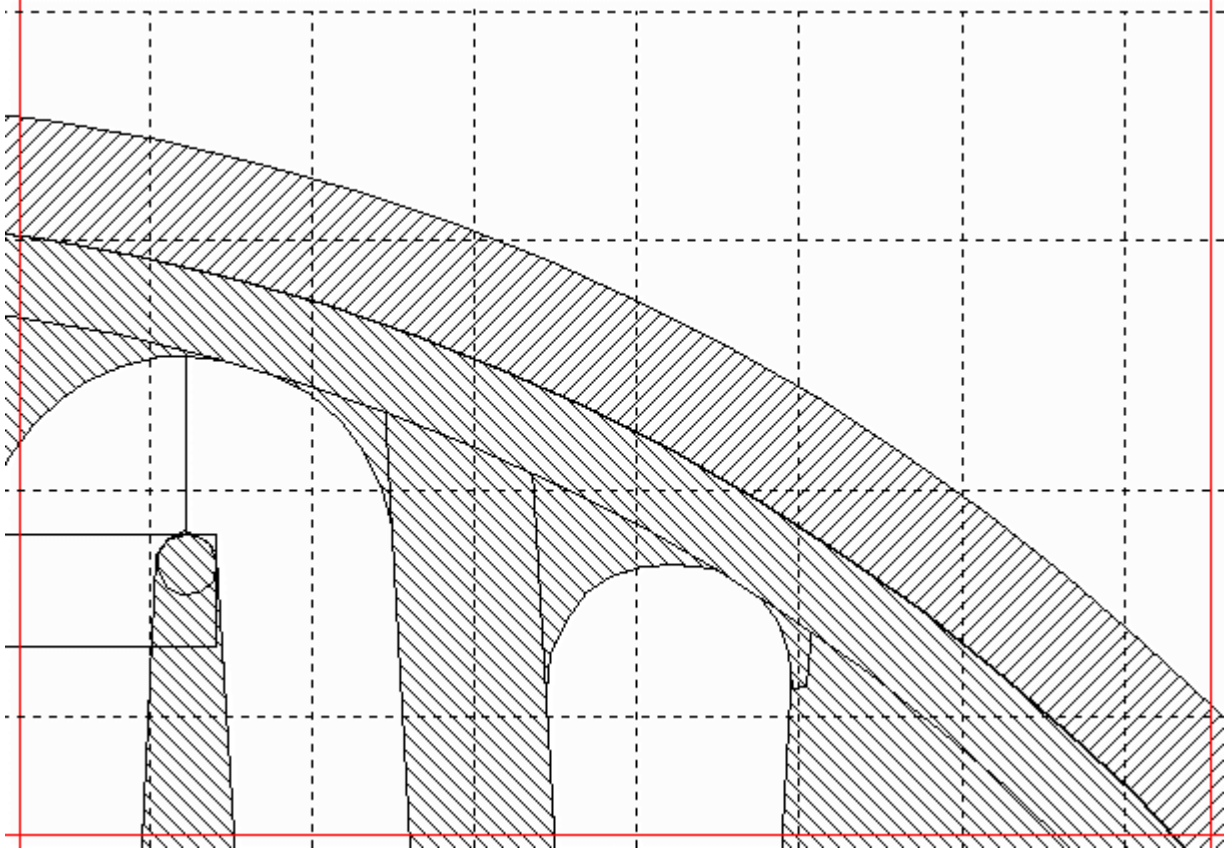
Construction drawings for "The Wheel" made by Helge Rustad 2000



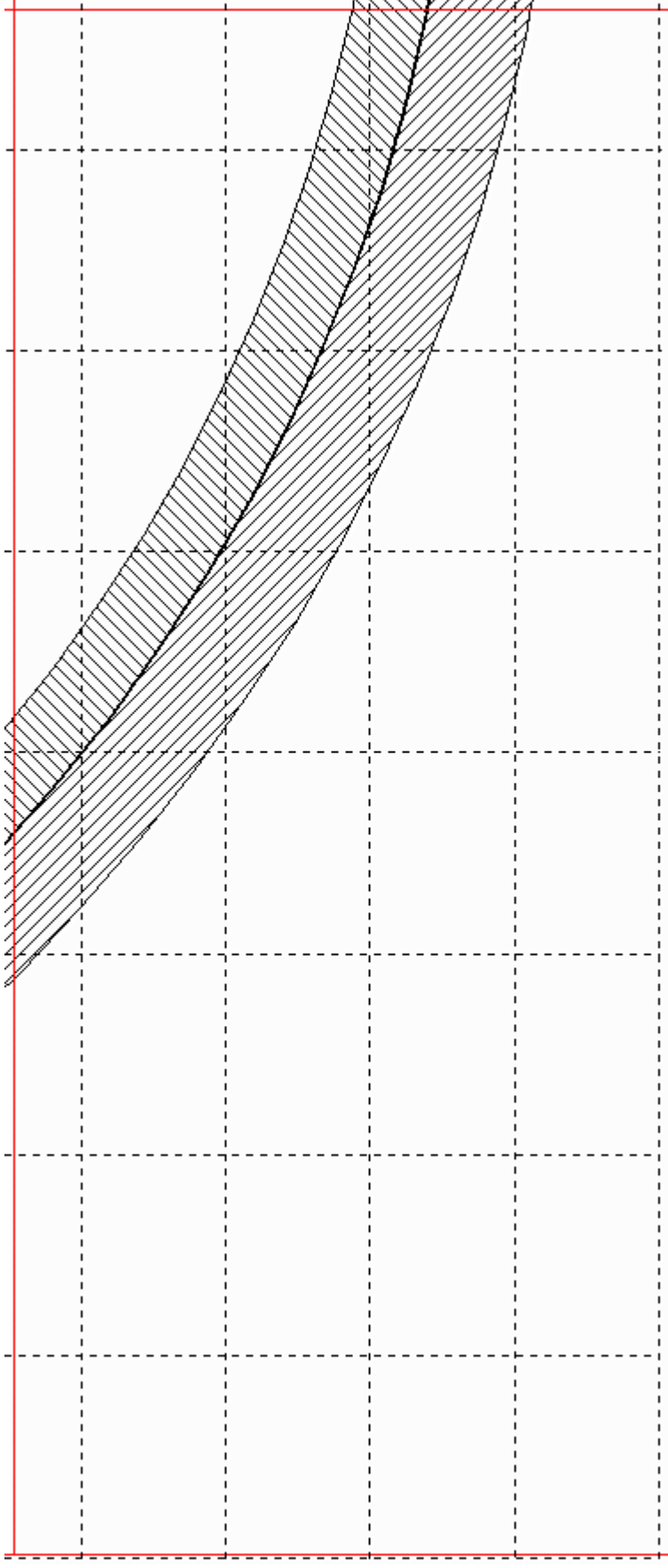
Construction drawings for "The Wheel" made by Helge Rustad 2000



Construction drawings for "The Wheel" made by Helge Rustad 2000



Construction drawings for "The Wheel" made by Helge Rustad 2000



Construction drawings for "The Wheel" made by Helge Rustad 2000

